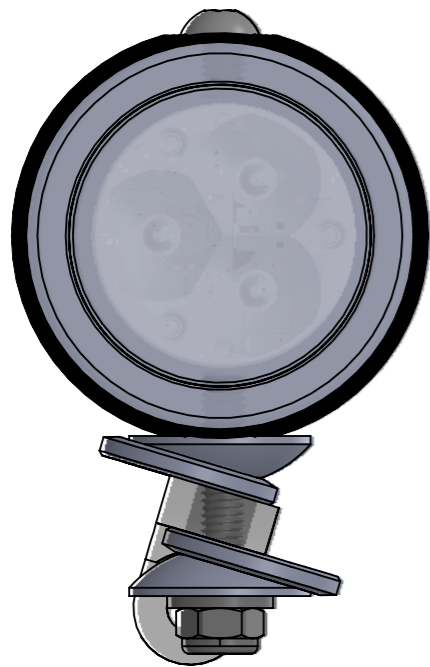
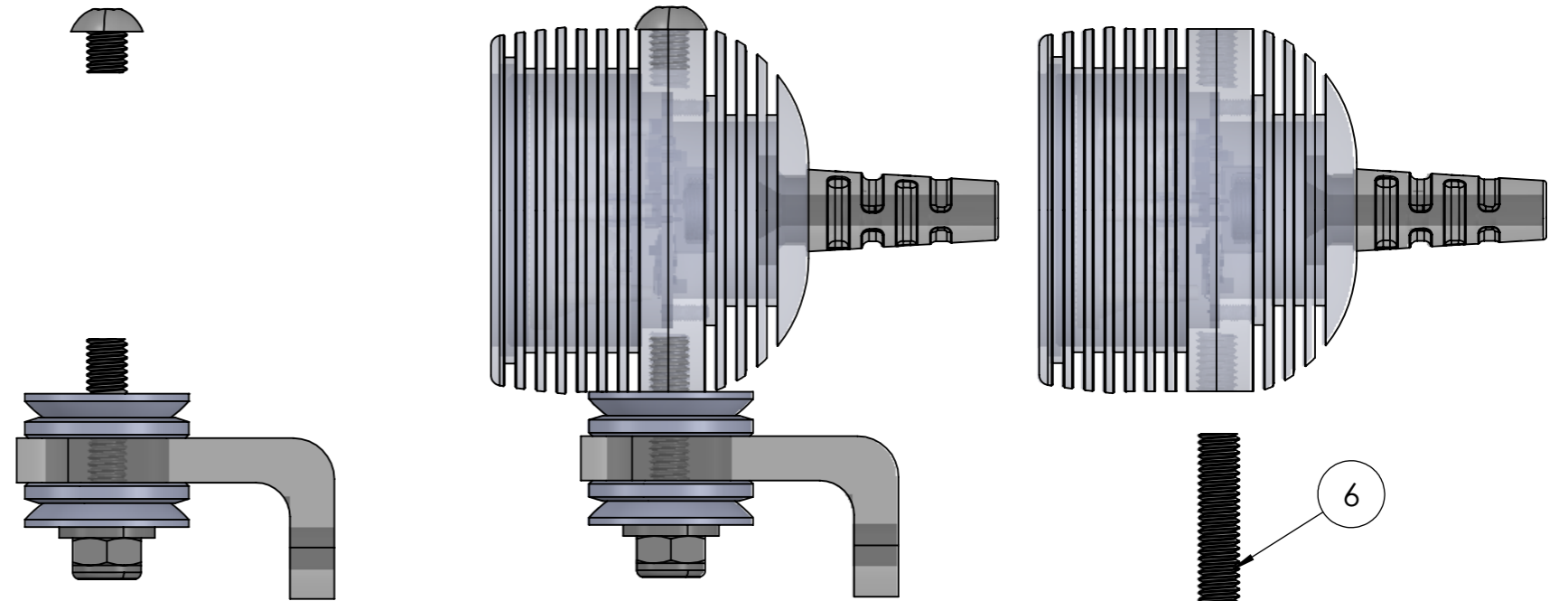


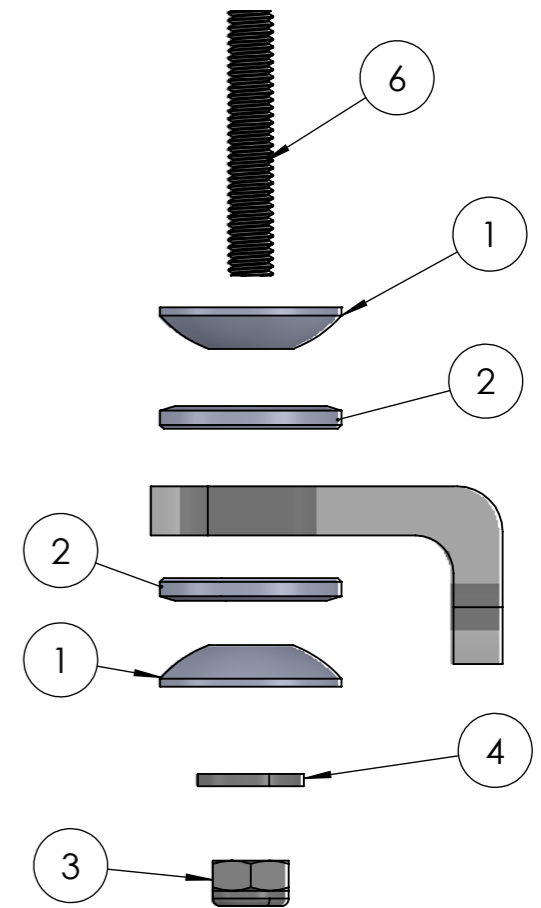
# AMPIVOTM6

Concave and convex washers provide up to 20° of multidirectional adjustment, ensuring correct alignment on flat, uneven, or irregular mounting surfaces.

An M6 bolt screws directly into the light body, creating a sleek, low-profile mounting solution while still allowing 20° of adjustment in all orientations for precise light positioning.



	PART NUMBER	DESCRIPTION	QTY.
1	EXPIV-P1	Convex wahser	2
2	EXPIV P3	Concave washer	2
3	62461-HLDW-M6-A2.stp	M6 Nyloc Nut	1
4	7960-HNN-M6-A4	M6 A4 stainless washer	1
5	155115-SSB-M6-6-A2-BL	M6 Buttonhead bolt Black stainless	1
6	4555-SSF-M6-35-A2	M6 X 35mm Grub screw, A2 Black stainless	1



FINISH:  
DEBURR AND BREAK SHARP EDGES

QUANTITY:

REVISION

Date: 19/12/2025

Manufacturer:  
Ultimate Sports Engineering  
Ltd.  
Unit 4  
Bury Mill Farm  
Bury Gate  
Pulborough  
West Sussex  
RH20 1NN



Unless Otherwise Specified  
Dimensions are in: mm  
Tolerance: X.XX ±0.1, X.X ±0.15, X ±.5  
Linear: ±0.5  
Angular: ±0.1  
**Do Not Scale Drawing**

	NAME	SIGNATURE	DATE
DRAWN	JT		
CHK'D			

Information Contained in this drawing is the property of USE-EXPOSURE. Any reproduction in part or whole without the written permission od USE-EXPOSURE is prohibited.

Please refer to 3D data for more details, If in doubt ask.

MATERIAL:

WEIGHT:

TITLE:  
**AMPIVOTM6 Eng Drawing**

DWG NO.  
**AMPIVOTM6 Eng Drawing**

SCALE:1:1

SHEET 1 OF 1

A3