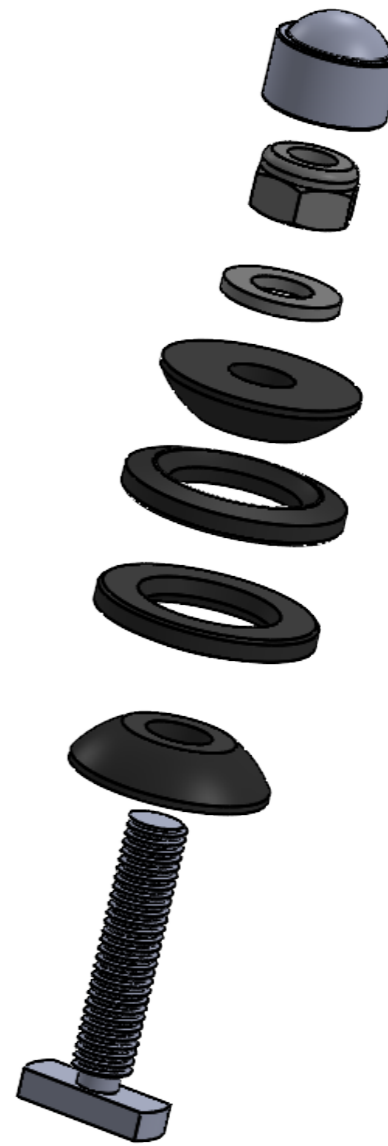
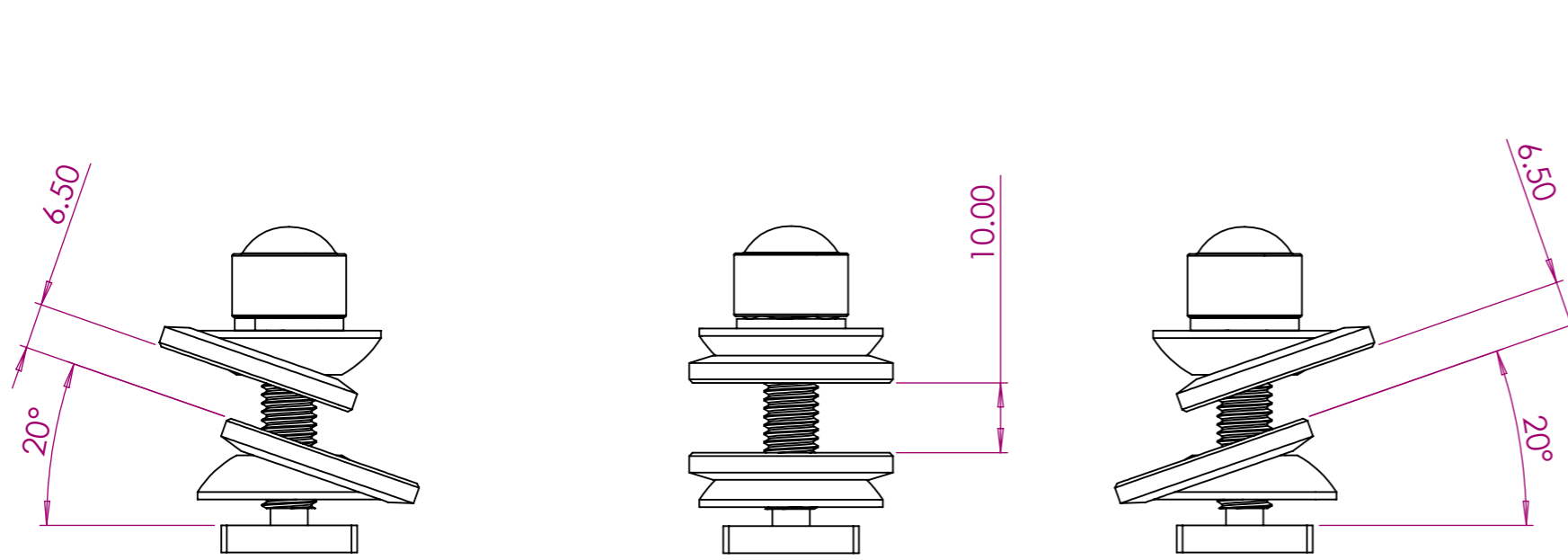


# AMPIVOTSTUDM8



Concave and convex washers provide up to 20° multi-directional adjustability. Ensuring proper alignment in even on uneven or irregular mounting surfaces.

ITEM NO.	PART NUMBER	DESCRIPTION	QTY.
5	AMEXTSSM8	316ss Black Electro Plated	1
6	EXPIV-P1 - M8	Black PVC Convex washer M8	2
7	EXPIV P3 - M8	Anodised black 6063 Convex washer M8	2
10	7949-HNN-M8-A2.stp		1
11	72496-HPW-M8-A2.stp		1
12	M8 - Nut Cap	M8 PVC Nut cap	1

FINISH: DEBURR AND BREAK SHARP EDGES	QUANTITY:	REVISION
Date: 19/12/2025		

Manufacturer:  
Ultimate Sports Engineering  
Ltd.  
Unit 4  
Bury Mill Farm  
Bury Gate  
Pulborough  
West Sussex  
RH20 1NN



Unless Otherwise Specified  
Dimensions are in: mm  
Tolerance: X.XX ±0.1, X.X ±0.15, X ±.5  
Linear: ±0.5  
Angular: ±0.1  
**Do Not Scale Drawing**

	NAME	SIGNATURE	DATE
DRAWN	JT		
CHK'D			
Information Contained in this drawing is the property of USE-EXPOSURE. Any reproduction in part or whole without the written permission of USE-EXPOSURE is prohibited.			

Please refer to 3D data for more details, If in doubt ask.

MATERIAL:

WEIGHT:

TITLE: <b>AMPIVOTSTUDM8</b>	DWG NO. <b>AMPIVOTSTUDM8</b>
SCALE:1:1	SHEET 1 OF 1

A3