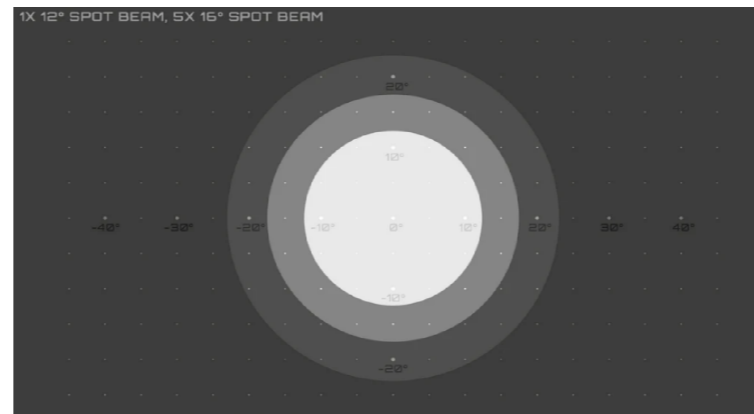
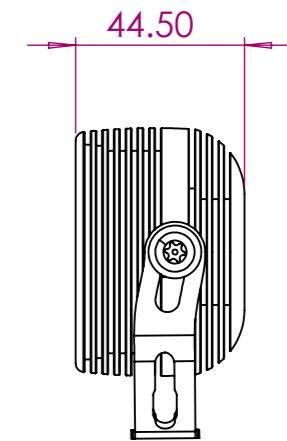
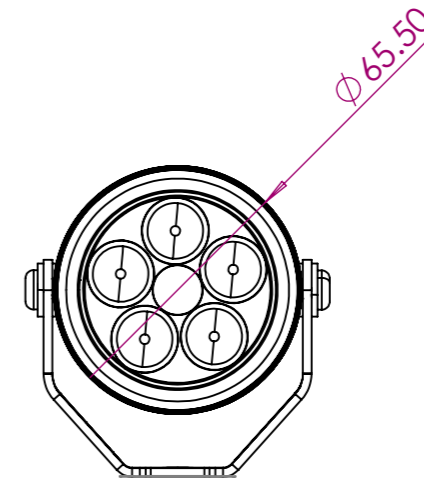
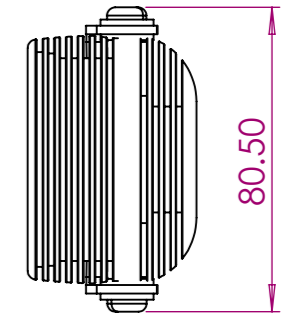
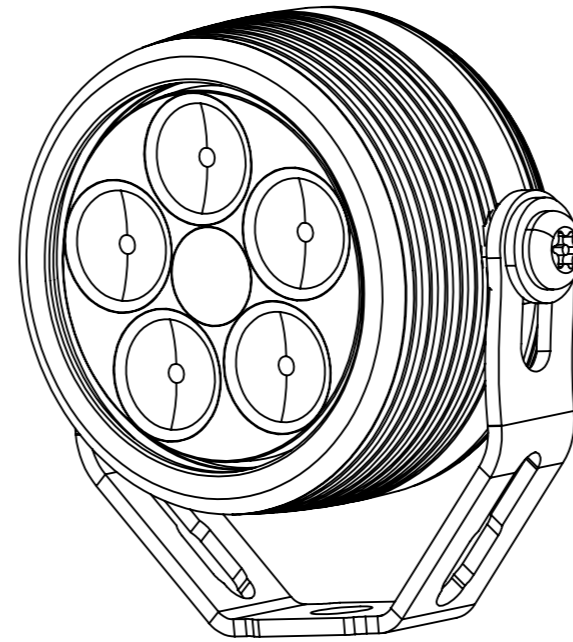


AMR6ADV

Weight	300g
Output	6000 Lumens
EZcan	EZcan Compatiable
Ip rating	IP69K
Light Tempature	5700K - Bright White
Warranty	7 year warranty
6X Cree Leds	XHP35.2HD (50,000+ hours)
Lens	1X 12Deg Spot beam, 5X 16deg Spot beams
Connector	Te connectivity Super seal
Amp draw @12v	TBC
Fixings	2X M6 fixing points
ITM	Itelligent thermal managment
Protective coating	Hard Anodised Black
Casing	6063 Aluminium
Minimum operating voltage	10.6V
Maxamium operating voltage	14.4V
Minimum ambient temperature	-20degC
Maximum ambient operating temprature	40degC
Maximum body temprature (no air flow)	55degC
PWM 100% duty cycle	Off
PWM 50% duty cycle	50%
PWM 0% duty cycle/ signal 0V	100%



FINISH: DEBURR AND BREAK SHARP EDGES	QUANTITY:	REVISION
Date: 01/04/2026		

Manufacturer:
Ultimate Sports Engineering
Ltd.
Unit 4
Bury Mill Farm
Bury Gate
Pulborough
West Sussex
RH20 1NN



Unless Otherwise Specified
Dimensions are in: mm
Tolerance: X.XX ±0.1, X.X ±0.15, X ±.5
Linear: ±0.5
Angular: ±0.1
Do Not Scale Drawing

	NAME	SIGNATURE	DATE
DRAWN	JT		
CHK'D			
Information Contained in this drawing is the property of USE-EXPOSURE. Any reproduction in part or whole without the written permission od USE-EXPOPSURE is prohibited.			

Please refer to 3D data for more details, If in doubt ask.

TITLE:	AMR6ADV SPECSHEET
DWG NO.	AMR6ADV SPECSHEET
SCALE:1:2	SHEET 1 OF 1